

JOB _____ TYPE _____

DIFFUSER

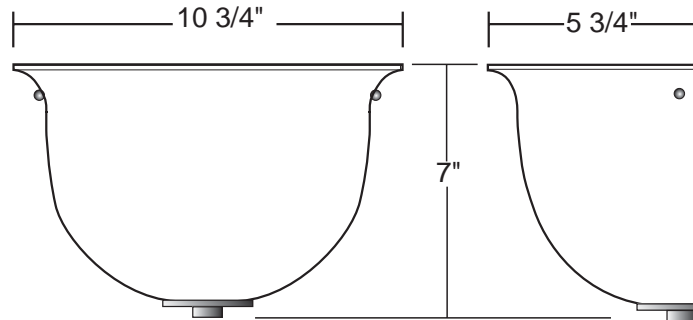
TO- Triplex Opal Etched Glass

DETAIL FINISH

- PB- Polished Brass
- PT- Paint
- BK- Painted Black
- WH- Painted White
- PN- Polished Nickel

BALLAST

E- Magnetic (120/277)
Normal Power Factor
Fluorescent Lamps
only



PRODUCT INFORMATION

- Triplex opal etched glass sculptured bowl diffuser, imported from Vianne France
- Sconce sits flush against wall.
- Backplate 18 gauge steel.
- Finish applied over phosphate pre-treated material.
- Choice of incandescent or fluorescent light source.
- Magnetic normal power factor ballast, compact fluorescent lamp only.
- Manufactured and tested to UL standard No. 1598



MODEL	# LAMPS	WATTS	BALLAST	VOLTS	DIFFUSER	DETAIL FINISH
3028	1	75A19	None used	1- 120 only	TO- Triplex Opal (standard)	PB- Polished Brass
		13 PL (2pin)	N- Magnetic (standard)	1- 120 2- 277		PT- Paint BK- Painted Black WH- Painted White PN- Polished Nickel

Example: 3028113N1-TOPB- Vianne Glass sculpted quarter round decorative wall fixture with 1-13 watt PL, and electronic ballast. Brass trim 120 Volt.

We are constantly updating our designs and reserve the right to make changes that do not affect the look or performance of the fixture